



# 9-26系列离心通风机

9-26 ENTRIFUGAL VENTILATOR



让人工环境更美好  
Make the Artificial  
Environment Better



## TO LEARN ABOUT GRAD 认识格瑞德

格瑞德 1993 年建立于山东德州，目前是一家围绕人工环境，横跨新能源、新材料、装备制造、节能环保、信息技术五大战略新型产业的企业集团。格瑞德进行全球化业务运作，产品和服务遍布全国的每一个省市和全球五大洲的 100 多个国家和地区，广泛应用于建筑工程、商业地产、工业制造、农业开发、电子信息、车辆工程、环保处理、医药净化、海洋工程、轨道交通等领域，集团也是国家重点军工配套企业。格瑞德从业人员过万人，在山东、贵州、四川、新疆、内蒙等地建有生产基地，在上海、北京、济南、兰州以及美国洛杉矶建有研发中心。

格瑞德致力于让人工环境更美好，通过打造空调工程、通风人防、复合材料、环保工程领域的全过程解决方案来满足客户需求，格瑞德构建了包括品牌规划、系统设计、技术开发、产品制造、整体施工、维护服务、检测认证、人才交流、产业集群的全生命周期产业链和产业生态。

创新和变革，格瑞德通过 500 多项专利技术成果的实现和应用，通过商业模式的不断革新和与时俱进，成就了机械 500 强和中国新材料企业重点单位的行业地位殊荣。万里路途，不忘初心，时序更替，梦想前行，我们将继续本着“自强不息，厚德载物”的企业精神创建一流企业，实现百年基业。





GRAD Group founded in 1993 in Dezhou, Shandong province, that is an enterprise Group focusing on the artificial environment, and spanning five strategic new industries of new energy, new materials, equipment manufacturing, energy conservation and environmental protection, and information technology. GRAD products and services spread around the China and world with 100 countries and regions. They are widely used in infrastructure projects, commercial real estate, industrial manufacturing, agricultural development, electronic information, automobile engineering, medicine, environmental protection treatment, ocean engineering, rail transportation and other fields. GRAD Group is also the key supporting enterprises for national military. With more than 10,000 employees, GRAD Group owned the production bases in Shandong, Guizhou, Sichuan, Xinjiang, Inner Mongolia and so on. And GRAD Group has established R&D centers in Shanghai, Beijing, Jinan, Lanzhou and Los Angeles.

GRAD is committed to making the artificial environment better. It can meet customer demand through building all process solutions of air conditioning engineering, ventilation, civil air defense, composite materials and environmental protection engineering. GRAD constructed the whole life cycle industrial chain and industry ecology including brand planning, system design, technology development, product manufacturing, the overall construction and maintenance services, inspection certification, talent exchange and industrial cluster.

Innovation and reform, GRAD gained top 500 China Machine and China's new materials enterprise key units through the realization and application of more than 500 patented technology achievements, through the continuous innovation of business model and keeping pace with the times. Thousands of miles of road, do not forget the original intention, time replacement, dream forward, we will continue to the enterprise spirit with "self-improvement, social commitment" to create a first-class enterprise and achieve a centennial foundation.



# 让人工环境更美好

Make the Artificial Environment Better

## Contents 目录

### 9-26型离心通风机

|                  |    |
|------------------|----|
| 一、9-26型离心通风机简介   | 04 |
| 二、9-26型离心通风机性能参数 | 05 |
| 三、9-26-A外形及安装尺寸  | 14 |
| 四、9-26-C外形及安装尺寸  | 15 |
| 五、9-26-D外形及安装尺寸  | 16 |
|                  |    |
|                  |    |
|                  |    |
|                  |    |
|                  |    |
|                  |    |
|                  |    |
|                  |    |
|                  |    |
|                  |    |
|                  |    |
|                  |    |
|                  |    |
|                  |    |
|                  |    |
|                  |    |
|                  |    |
|                  |    |
|                  |    |
|                  |    |
|                  |    |
|                  |    |
|                  |    |
|                  |    |
|                  |    |
|                  |    |
|                  |    |
|                  |    |
|                  |    |

## 9-26风机型离心通风机

### 一、通风机的用途

9-26型离心通风机，一般用于锻冶及高压强制通风，并可广泛用于输送物料，输送空气及无腐蚀性不自燃，不含粘性物质之气体。介质温度一般不超过50℃（最高不超过80℃），介质中所含尘土及硬质颗粒不大于150mg/m<sup>3</sup>。

### 二、通风机的型式

本通风机为单吸入式，有№4、4.5、5、5.6、6.3、7.1、8、9、10、11.2、12.5、14、16共13个机号。

通风机可制成右旋和左旋两种型式。从电机一端正视，如叶轮顺时针旋转称右旋风机，以“右”表示；逆时针旋转称左旋风机，以“左”表示。

风机的出口位置以机壳的出口角度表示。“左”、“右”均可制成0°，45°，90°，135°，180°，225°共六种角度。

风机的传动方式为A式（№4-6.3）和C/D式（№5.6-16）。





## 9-26系列性能数据

| 机号№ | 转速 r/min | 全压 Pa | 流量 m <sup>3</sup> /h | 内效率 % | 内功率 kw | 所需功率 kw | 配用电机    |       |
|-----|----------|-------|----------------------|-------|--------|---------|---------|-------|
|     |          |       |                      |       |        |         | 型号      | 功率 kw |
| 4   | 2900     | 3852  | 2198                 | 74.7  | 3.11   | 3.7     | Y132S-2 | 5.5   |
|     |          | 3820  | 2368                 | 75.5  | 3.28   | 3.9     |         |       |
|     |          | 3765  | 2536                 | 75.7  | 3.46   | 4.1     |         |       |
|     |          | 3684  | 2706                 | 75.0  | 3.65   | 4.4     |         |       |
|     |          | 3607  | 2877                 | 73.8  | 3.86   | 4.6     |         |       |
|     |          | 3502  | 3044                 | 72.1  | 4.06   | 4.9     |         |       |
|     |          | 3407  | 3215                 | 70    | 4.29   | 5.2     |         |       |
|     | 1450     | 963   | 1099                 | 74.7  | 0.39   | 0.45    | Y80M-4  | 0.55  |
|     |          | 954   | 1184                 | 75.5  | 0.41   | 0.47    |         |       |
|     |          | 940   | 1268                 | 75.7  | 0.43   | 0.49    |         |       |
|     |          | 920   | 1353                 | 75.0  | 0.45   | 0.51    |         |       |
|     |          | 901   | 1439                 | 73.8  | 0.48   | 0.56    | Y80M-4  | 0.75  |
|     |          | 875   | 1522                 | 72.1  | 0.50   | 0.58    |         |       |
|     |          | 851   | 1608                 | 70    | 0.53   | 0.61    |         |       |
| 4.5 | 2900     | 4910  | 3130                 | 76.1  | 5.51   | 6.3     | Y132S-2 | 7.5   |
|     |          | 4863  | 3407                 | 77.1  | 5.87   | 6.8     |         |       |
|     |          | 4776  | 3685                 | 77.1  | 6.24   | 7.2     |         |       |
|     |          | 4661  | 3963                 | 76    | 6.64   | 7.6     | Y160M-2 | 11    |
|     |          | 4545  | 4237                 | 74.5  | 7.06   | 8.1     |         |       |
|     |          | 4412  | 4515                 | 72.3  | 7.54   | 8.7     |         |       |
|     |          | 4256  | 4792                 | 70    | 7.98   | 9.2     |         |       |
|     | 1450     | 1227  | 1565                 | 76.1  | 0.69   | 0.8     | Y90S-4  | 1.1   |
|     |          | 1215  | 1704                 | 77.1  | 0.73   | 0.85    |         |       |
|     |          | 1193  | 1843                 | 77.1  | 0.78   | 0.9     |         |       |
|     |          | 1164  | 1982                 | 76    | 0.83   | 0.95    |         |       |
|     |          | 1135  | 2119                 | 74.5  | 0.88   | 1.0     | Y90L-4  | 1.5   |
|     |          | 1102  | 2258                 | 72.3  | 0.94   | 1.1     |         |       |
|     |          | 1063  | 2396                 | 70    | 0.99   | 1.15    |         |       |
| 5   | 2900     | 6035  | 4293                 | 77.2  | 9.12   | 10.5    | Y160M-2 | 15    |
|     |          | 5984  | 4706                 | 78.2  | 9.80   | 11.3    |         |       |
|     |          | 5869  | 5114                 | 78    | 10.48  | 12.0    |         |       |
|     |          | 5725  | 5527                 | 76.7  | 11.23  | 12.9    |         |       |
|     |          | 5553  | 5941                 | 74.9  | 12.00  | 13.8    |         |       |
|     |          | 5381  | 6349                 | 72.7  | 12.81  | 14.7    |         |       |
|     |          | 5180  | 6762                 | 70    | 13.65  | 15      |         |       |
|     | 1450     | 1508  | 2147                 | 77.2  | 1.14   | 1.3     | Y90L-4  | 1.5   |
|     |          | 1495  | 2353                 | 78.2  | 1.23   | 1.4     |         |       |
|     |          | 1466  | 2557                 | 78    | 1.31   | 1.5     |         |       |
|     |          | 1430  | 2764                 | 76.7  | 1.4    | 1.6     | Y100L-4 | 2.2   |
|     |          | 1387  | 2971                 | 74.9  | 1.5    | 1.73    |         |       |
|     |          | 1344  | 3175                 | 72.7  | 1.6    | 1.8     |         |       |
|     |          | 1294  | 3381                 | 70    | 1.7    | 1.9     |         |       |

| 机号 № | 转速 r/min | 全压 Pa | 流量 m <sup>3</sup> /h | 内效率 % | 内功率 kw | 所需功率 kw | 配用电机    |       |
|------|----------|-------|----------------------|-------|--------|---------|---------|-------|
|      |          |       |                      |       |        |         | 型号      | 功率 kw |
| 5.6  | 2900     | 7610  | 6032                 | 77.2  | 16.1   | 18.5    | Y180M-2 | 22    |
|      |          | 7546  | 6612                 | 78.2  | 17.3   | 19.9    |         |       |
|      |          | 7400  | 7185                 | 78    | 18.4   | 21.2    |         |       |
|      |          | 7218  | 7766                 | 76.7  | 19.7   | 22.8    | Y200L-2 | 30    |
|      |          | 7000  | 8346                 | 74.9  | 21.1   | 24.3    |         |       |
|      |          | 6781  | 8919                 | 72.7  | 22.5   | 26.0    |         |       |
|      |          | 6527  | 9500                 | 70    | 24.1   | 27.7    |         |       |
|      | 1450     | 1902  | 3016                 | 77.2  | 2.0    | 2.3     | Y100L-4 | 3     |
|      |          | 1886  | 3306                 | 78.2  | 2.1    | 2.5     |         |       |
|      |          | 1849  | 3592                 | 78    | 2.3    | 2.6     |         |       |
|      |          | 1804  | 3883                 | 76.7  | 2.5    | 2.8     |         |       |
|      |          | 1749  | 4173                 | 74.9  | 2.7    | 3.0     | Y112M-4 | 4     |
|      |          | 1695  | 4459                 | 72.7  | 2.9    | 3.3     |         |       |
|      |          | 1631  | 4750                 | 70    | 3.0    | 3.5     |         |       |
| 6.3  | 2900     | 9698  | 8588                 | 77.2  | 28.9   | 33.3    | Y225M-2 | 45    |
|      |          | 9616  | 9415                 | 78.2  | 31.1   | 35.8    |         |       |
|      |          | 9429  | 10230                | 78    | 33.3   | 38.3    |         |       |
|      |          | 9195  | 11056                | 76.7  | 35.6   | 41.0    |         |       |
|      |          | 8915  | 11883                | 74.9  | 38.1   | 43.8    | Y250M-2 | 55    |
|      |          | 8636  | 12699                | 72.7  | 40.6   | 46.8    |         |       |
|      |          | 8310  | 13525                | 70    | 43.5   | 49.9    |         |       |
|      | 1450     | 2424  | 4294                 | 77.2  | 3.7    | 4.2     | Y132S-4 | 5.5   |
|      |          | 2403  | 4708                 | 78.2  | 4.0    | 4.5     |         |       |
|      |          | 2357  | 5115                 | 78    | 4.2    | 4.9     |         |       |
|      |          | 2298  | 5528                 | 76.7  | 4.5    | 5.2     |         |       |
|      |          | 2228  | 5942                 | 74.9  | 4.8    | 5.6     | Y132M-4 | 7.5   |
|      |          | 2158  | 6350                 | 72.7  | 5.2    | 5.9     |         |       |
|      |          | 2077  | 6763                 | 70    | 5.5    | 6.3     |         |       |
| 7.1  | 2900     | 12427 | 12292                | 77.2  | 52.7   | 61.8    | Y280S-2 | 75    |
|      |          | 12321 | 13475                | 78.2  | 56.57  | 66.4    |         |       |
|      |          | 12078 | 14643                | 78    | 60.49  | 71.0    |         |       |
|      |          | 11776 | 15826                | 76.7  | 64.84  | 76.1    | Y315S-2 | 110   |
|      |          | 11415 | 17009                | 74.9  | 69.3   | 81.3    |         |       |
|      |          | 11055 | 18177                | 72.7  | 73.9   | 86.8    |         |       |
|      |          | 10635 | 19360                | 70    | 78.8   | 92.5    |         |       |
|      | 2240     | 7243  | 9494                 | 77.2  | 24.2   | 27.8    | Y200L-2 | 37    |
|      |          | 7180  | 10408                | 78.2  | 26.0   | 29.9    |         |       |
|      |          | 7040  | 11310                | 78    | 27.7   | 31.9    |         |       |
|      |          | 6863  | 12224                | 76.7  | 29.7   | 34.2    |         |       |
|      |          | 6653  | 13137                | 74.9  | 31.7   | 36.5    | Y225M-2 | 45    |
|      |          | 6443  | 14040                | 72.7  | 33.8   | 38.9    |         |       |
|      |          | 6199  | 14953                | 70    | 36.0   | 41.4    |         |       |

| 机号 № | 转速 r/min | 全压 Pa | 流量 m <sup>3</sup> /h | 内效率 % | 内功率 kw | 所需功率 kw | 配用电机    |       |
|------|----------|-------|----------------------|-------|--------|---------|---------|-------|
|      |          |       |                      |       |        |         | 型号      | 功率 kw |
| 7.1  | 1800     | 4676  | 7629                 | 77.2  | 12.5   | 14.4    | Y180M-4 | 18.5  |
|      |          | 4636  | 8363                 | 78.2  | 13.4   | 15.5    |         |       |
|      |          | 4545  | 9088                 | 78    | 14.4   | 16.5    |         |       |
|      |          | 4431  | 9823                 | 76.7  | 15.4   | 17.7    |         |       |
|      |          | 4295  | 10557                | 74.9  | 16.4   | 18.9    |         |       |
|      |          | 4161  | 11282                | 72.7  | 17.5   | 20.2    |         |       |
|      |          | 4002  | 12016                | 70    | 18.7   | 21.5    |         |       |
|      | 1450     | 3034  | 6146                 | 77.2  | 6.5    | 7.5     | Y160M-4 | 11    |
|      |          | 3009  | 6738                 | 78.2  | 7.1    | 8.1     |         |       |
|      |          | 3019  | 7322                 | 78    | 7.7    | 8.8     |         |       |
|      |          | 2876  | 7913                 | 76.7  | 8.0    | 9.2     |         |       |
|      |          | 2787  | 8505                 | 74.9  | 8.6    | 9.9     |         |       |
|      |          | 2699  | 9089                 | 72.7  | 9.1    | 10.5    |         |       |
|      |          | 2596  | 9680                 | 70    | 9.7    | 11.2    |         |       |
|      | 1250     | 2254  | 5298                 | 77.2  | 4.2    | 4.8     | Y132S-4 | 5.5   |
|      |          | 2236  | 5808                 | 78.2  | 4.5    | 5.2     |         |       |
|      |          | 2191  | 6311                 | 78    | 4.8    | 5.5     |         |       |
|      |          | 2136  | 6821                 | 76.7  | 5.1    | 5.9     | Y132M-4 | 7.5   |
|      |          | 2071  | 7331                 | 74.9  | 5.5    | 6.3     |         |       |
|      |          | 2005  | 7834                 | 72.7  | 5.9    | 6.7     |         |       |
|      |          | 1929  | 8344                 | 70    | 6.2    | 7.2     |         |       |
| 8    | 2900     | 15955 | 17584                | 77.2  | 95.7   | 112.3   | Y315M-2 | 132   |
|      |          | 15818 | 19277                | 78.2  | 102.7  | 120.5   |         |       |
|      |          | 15504 | 20947                | 78    | 109.8  | 128.9   |         |       |
|      |          | 15112 | 22640                | 76.7  | 117.7  | 138.2   | Y315L-2 | 200   |
|      |          | 14644 | 24332                | 74.9  | 125.8  | 147.7   |         |       |
|      |          | 14177 | 26003                | 72.7  | 134.3  | 157.6   |         |       |
|      |          | 13634 | 27696                | 70    | 143.1  | 168.0   |         |       |
|      | 2240     | 9309  | 13582                | 77.2  | 44.5   | 51.27   | Y250M-2 | 55    |
|      |          | 9229  | 14889                | 78.2  | 47.8   | 55.0    |         |       |
|      |          | 9046  | 16179                | 78    | 51.0   | 58.7    |         |       |
|      |          | 8835  | 17487                | 76.7  | 54.8   | 63.0    | Y280S-2 | 75    |
|      |          | 8561  | 18794                | 74.9  | 58.4   | 67.2    |         |       |
|      |          | 8288  | 20085                | 72.7  | 62.3   | 71.6    |         |       |
|      |          | 7971  | 21392                | 70    | 66.3   | 75.0    |         |       |
|      | 1800     | 6010  | 10914                | 77.2  | 23.1   | 26.5    | Y200L-2 | 30    |
|      |          | 5958  | 11965                | 78.2  | 24.8   | 28.5    |         |       |
|      |          | 5841  | 13001                | 78    | 26.5   | 30      |         |       |
|      |          | 5704  | 14052                | 76.7  | 28.4   | 32.7    | Y225M-2 | 45    |
|      |          | 5641  | 15102                | 74.9  | 30.9   | 35.6    |         |       |
|      |          | 5351  | 16139                | 72.7  | 32.3   | 37.1    |         |       |
|      |          | 5146  | 17190                | 70    | 34.4   | 39.5    |         |       |



| 机号<br>№ | 转速 r/min | 全压 Pa | 流量 m <sup>3</sup> /h | 内效率 % | 内功率 kw  | 所需功率 kw | 配用电机    |       |
|---------|----------|-------|----------------------|-------|---------|---------|---------|-------|
|         |          |       |                      |       |         |         | 型号      | 功率 kw |
| 8       | 1450     | 3834  | 8792                 | 77.2  | 11.9    | 14.0    | Y180M-4 | 18.5  |
|         |          | 3802  | 9639                 | 78.2  | 12.8    | 15.1    |         |       |
|         |          | 3729  | 10473                | 78    | 13.7    | 16.1    |         |       |
|         |          | 3638  | 11320                | 76.7  | 14.7    | 17.3    |         |       |
|         |          | 3529  | 12166                | 74.9  | 15.7    | 18.5    |         |       |
|         |          | 3421  | 13001                | 72.7  | 16.8    | 19.7    |         |       |
|         | 3294     | 13848 | 70                   | 17.9  | 21.0    | Y200L-4 | 30      |       |
|         | 1250     | 2898  | 7579                 | 77.2  | 7.7     | 8.9     | Y160M-4 | 11    |
|         |          | 2837  | 8309                 | 78.2  | 8.2     | 9.4     |         |       |
|         |          | 2816  | 9028                 | 78    | 8.8     | 10.2    |         |       |
|         |          | 2750  | 9758                 | 76.7  | 9.5     | 10.9    |         |       |
|         |          | 2665  | 10487                | 74.9  | 10.1    | 11.6    |         |       |
|         |          | 2580  | 11208                | 72.7  | 10.8    | 12.4    |         |       |
|         | 2482     | 11937 | 70                   | 11.5  | 13.2    | Y160L-4 | 15      |       |
| 9       | 1800     | 7352  | 15539                | 77.2  | 40.2    | 46.3    | Y250M-4 | 55    |
|         |          | 7291  | 17035                | 78.2  | 43.2    | 49.7    |         |       |
|         |          | 7152  | 18512                | 78    | 46.2    | 53.1    |         |       |
|         |          | 6976  | 20008                | 76.7  | 49.5    | 56.9    |         |       |
|         |          | 6766  | 21503                | 74.9  | 52.8    | 60.8    |         |       |
|         |          | 6558  | 22980                | 72.7  | 56.4    | 64.9    |         |       |
|         | 6314     | 24476 | 70                   | 60    | 69.1    | Y280S-4 | 75      |       |
|         | 1450     | 4869  | 12518                | 77.2  | 21.56   | 25.3    | Y200L-4 | 30    |
|         |          | 4828  | 13723                | 78.2  | 23.14   | 27.2    |         |       |
|         |          | 4736  | 14913                | 78    | 24.75   | 29      |         |       |
|         |          | 4620  | 16118                | 76.7  | 26.5    | 31.1    |         |       |
|         |          | 4481  | 17322                | 74.9  | 28.35   | 33.3    |         |       |
|         |          | 4343  | 18512                | 72.7  | 30.25   | 35.5    |         |       |
|         | 4181     | 19717 | 70                   | 32.24 | 37.8    | Y225M-4 | 45      |       |
|         | 1250     | 3545  | 10791                | 77.2  | 13.5    | 15.5    | Y180M-4 | 18.5  |
|         |          | 3515  | 11830                | 78.2  | 14.4    | 16.6    |         |       |
|         |          | 3448  | 12856                | 78    | 15.4    | 17.8    |         |       |
|         |          | 3364  | 13894                | 76.7  | 16.5    | 19      |         |       |
|         |          | 3263  | 14932                | 74.9  | 17.7    | 20.3    |         |       |
|         |          | 3162  | 15958                | 72.7  | 18.8    | 21.7    |         |       |
|         | 3044     | 16997 | 70                   | 20.1  | 22      | Y180L-4 | 22      |       |
|         | 1120     | 2845  | 9669                 | 77.2  | 9.7     | 11.1    | Y160L-4 | 15    |
|         |          | 2822  | 10599                | 78.2  | 10.4    | 11.9    |         |       |
|         |          | 2768  | 11519                | 78    | 11.1    | 12.7    |         |       |
| 2700    |          | 12449 | 76.7                 | 11.9  | 13.7    |         |         |       |
| 3619    |          | 13379 | 74.9                 | 12.7  | 14.6    |         |         |       |
| 2539    |          | 14298 | 72.7                 | 13.5  | 15.6    |         |         |       |
| 2444    | 15229    | 70    | 14.4                 | 16.6  | Y180M-4 | 18.5    |         |       |

| 机号 № | 转速 r/min | 全压 Pa | 流量 m <sup>3</sup> /h | 内效率 % | 内功率 kw | 所需功率 kw | 配用电机    |         |         |         |
|------|----------|-------|----------------------|-------|--------|---------|---------|---------|---------|---------|
|      |          |       |                      |       |        |         | 型号      | 功率 kw   |         |         |
| 9    | 960      | 2091  | 8287                 | 77.2  | 6.1    | 7       | Y160M-6 | 7.5     |         |         |
|      |          | 2073  | 9085                 | 78.2  | 6.55   | 7.5     |         |         |         |         |
|      |          | 2033  | 9873                 | 78    | 7      | 8       |         |         |         |         |
|      |          |       |                      | 1984  | 10671  | 76.7    | 7.5     | 8.6     | Y160L-6 | 11      |
|      |          |       |                      | 1924  | 11468  | 74.9    | 8       | 9.2     |         |         |
|      |          |       |                      | 1864  | 12256  | 72.7    | 8.5     | 9.8     |         |         |
|      |          |       |                      | 1795  | 13054  | 70      | 9.1     | 10.5    |         |         |
| 10   | 1450     | 6143  | 17172                | 80.4  | 35.6   | 25.3    | Y200L-4 | 30      |         |         |
|      |          | 6056  | 19319                | 81.2  | 39.2   | 27.2    |         |         |         |         |
|      |          | 5920  | 21465                | 80.4  | 43     | 29      |         |         |         |         |
|      |          |       |                      | 5761  | 23612  | 78.6    | 47.1    | 31.1    | Y225S-4 | 37      |
|      |          |       |                      | 5560  | 25758  | 76      | 51.4    | 33.3    |         |         |
|      |          |       |                      | 5309  | 27905  | 73      | 55.3    | 35.5    |         |         |
|      |          |       |                      | 5065  | 30052  | 70      | 59.3    | 37      |         |         |
|      |          | 1250  | 4473                 | 14803 | 80.4   | 22.4    | 25.7    | Y225S-4 | 37      |         |
|      |          |       |                      | 4410  | 16654  | 81.2    | 24.6    |         |         | 28.3    |
|      |          |       |                      | 4311  | 18504  | 80.4    | 27      |         |         | 31      |
|      |          |       |                      | 4195  | 20355  | 78.6    | 29.6    |         |         | 34      |
|      |          |       |                      | 4048  | 22205  | 76      | 32.1    | 37      | Y225M-4 | 45      |
|      |          |       |                      | 3866  | 24056  | 73      | 34.7    | 39.8    |         |         |
|      |          |       |                      | 3688  | 25906  | 70      | 37.1    | 42.7    |         |         |
|      |          | 1120  | 3591                 | 13263 | 80.4   | 16.1    | 18.5    | Y180L-4 | 22      |         |
|      |          |       |                      | 3540  | 14922  | 81.2    | 17.7    |         |         | 20.3    |
|      |          |       |                      | 3461  | 16579  | 80.4    | 19.4    |         |         | 22.3    |
|      |          |       |                      | 3368  | 18238  | 78.6    | 21.2    | 24.4    | Y200L-4 | 30      |
|      |          |       |                      | 3250  | 19895  | 76      | 23.1    | 26.5    |         |         |
|      |          |       |                      | 3103  | 21554  | 73      | 24.9    | 28.7    |         |         |
|      |          |       |                      | 2960  | 23212  | 70      | 26.7    | 30      |         |         |
|      |          | 960   | 2638                 | 11369 | 80.4   | 10.1    | 11.6    | Y180L-6 | 15      |         |
|      |          |       |                      | 2600  | 12790  | 81.2    | 11.1    |         |         | 12.8    |
|      |          |       |                      | 2542  | 14211  | 80.4    | 12.2    |         |         | 14      |
|      |          |       |                      | 2474  | 15632  | 78.6    | 13.3    | 15.4    | Y200L-6 | 22      |
|      |          |       |                      | 2388  | 17053  | 76      | 14.5    | 16.7    |         |         |
|      |          |       |                      | 2280  | 18475  | 73      | 15.7    | 18      |         |         |
|      |          |       |                      | 2220  | 19896  | 70      | 17.1    | 19.7    |         |         |
|      |          | 800   | 1841                 | 9474  | 80.4   | 6.0     | 6.9     | Y160L-6 | 11      |         |
|      |          |       |                      | 1815  | 10658  | 81.2    | 6.6     |         |         | 7.6     |
|      |          |       | 1775                 | 11842 | 80.4   | 7.3     | 8.3     |         |         |         |
|      |          |       | 1727                 | 13027 | 78.6   | 7.9     | 9.1     |         |         |         |
|      |          |       | 1667                 | 14211 | 76     | 8.6     | 9.9     |         |         |         |
|      |          |       | 1592                 | 15395 | 73     | 9.3     | 10.7    |         |         |         |
|      |          |       | 1518                 | 16580 | 70     | 10.0    | 11.5    |         |         | Y180L-6 |

| 机号<br>№ | 转速 r/min | 全压 Pa | 流量 m <sup>3</sup> /h | 内效率 % | 内功率 kw | 所需功率 kw | 配用电机    |       |
|---------|----------|-------|----------------------|-------|--------|---------|---------|-------|
|         |          |       |                      |       |        |         | 型号      | 功率 kw |
| 11.2    | 1450     | 7747  | 24126                | 80.4  | 62.9   | 73.8    | Y315S-4 | 110   |
|         |          | 7637  | 27142                | 81.2  | 69.07  | 81.8    |         |       |
|         |          | 7464  | 30157                | 80.4  | 75.82  | 89.0    |         |       |
|         |          | 7264  | 33173                | 78.6  | 83.01  | 97.0    |         |       |
|         |          | 7009  | 36189                | 76    | 90.5   | 106.2   |         |       |
|         |          | 6691  | 39206                | 73    | 97.54  | 114.5   |         |       |
|         |          | 6382  | 42221                | 70    | 104.58 | 122.7   |         |       |
|         | 1250     | 5641  | 20798                | 80.4  | 69.7   | 45.7    | Y250M-4 | 55    |
|         |          | 5561  | 23398                | 81.2  | 43.6   | 50.1    |         |       |
|         |          | 5435  | 25997                | 80.4  | 47.8   | 55      |         |       |
|         |          | 5290  | 28597                | 78.6  | 52.3   | 60.2    | Y280S-4 | 75    |
|         |          | 5103  | 31197                | 76    | 57     | 65.5    |         |       |
|         |          | 4872  | 33798                | 73    | 61.4   | 70.6    |         |       |
|         |          | 4647  | 36397                | 70    | 65.7   | 75.0    |         |       |
|         | 1120     | 4529  | 18635                | 80.4  | 28.5   | 32.9    | Y225M-4 | 45    |
|         |          | 4464  | 20964                | 81.2  | 31.3   | 36      |         |       |
|         |          | 4363  | 23293                | 80.4  | 34.4   | 39.5    |         |       |
|         |          | 4246  | 25623                | 78.6  | 37.6   | 43.2    |         |       |
|         |          | 4097  | 27952                | 76    | 41     | 47.1    | Y250M-4 | 55    |
|         |          | 3912  | 30283                | 73    | 44.1   | 50.8    |         |       |
|         |          | 3730  | 32612                | 70    | 47.3   | 54.4    |         |       |
|         | 960      | 3346  | 15973                | 80.4  | 18.25  | 21.4    | Y225M-6 | 30    |
|         |          | 3299  | 17969                | 81.2  | 20.04  | 23.5    |         |       |
|         |          | 3225  | 19966                | 80.4  | 22     | 25.8    |         |       |
|         |          | 3140  | 21963                | 78.6  | 24     | 28.3    |         |       |
|         |          | 3031  | 23959                | 76    | 26     | 30.8    | Y250M-6 | 37    |
|         |          | 2895  | 25956                | 73    | 28.3   | 33.2    |         |       |
|         |          | 2763  | 27953                | 70    | 30.3   | 35.6    |         |       |
|         | 750      | 2030  | 12478                | 80.4  | 8.57   | 9.8     | Y160L-6 | 11    |
|         |          | 2002  | 14038                | 81.2  | 9.4    | 10.8    |         |       |
| 1956    |          | 15598 | 80.4                 | 10.3  | 11.0   |         |         |       |
| 1904    |          | 17158 | 78.6                 | 11.3  | 13     | Y200L-6 | 18.5    |       |
| 1837    |          | 18718 | 76                   | 12.3  | 14.1   |         |         |       |
| 1754    |          | 20278 | 73                   | 13.2  | 15.2   |         |         |       |
| 1672    |          | 21838 | 70                   | 14.2  | 16.3   |         |         |       |

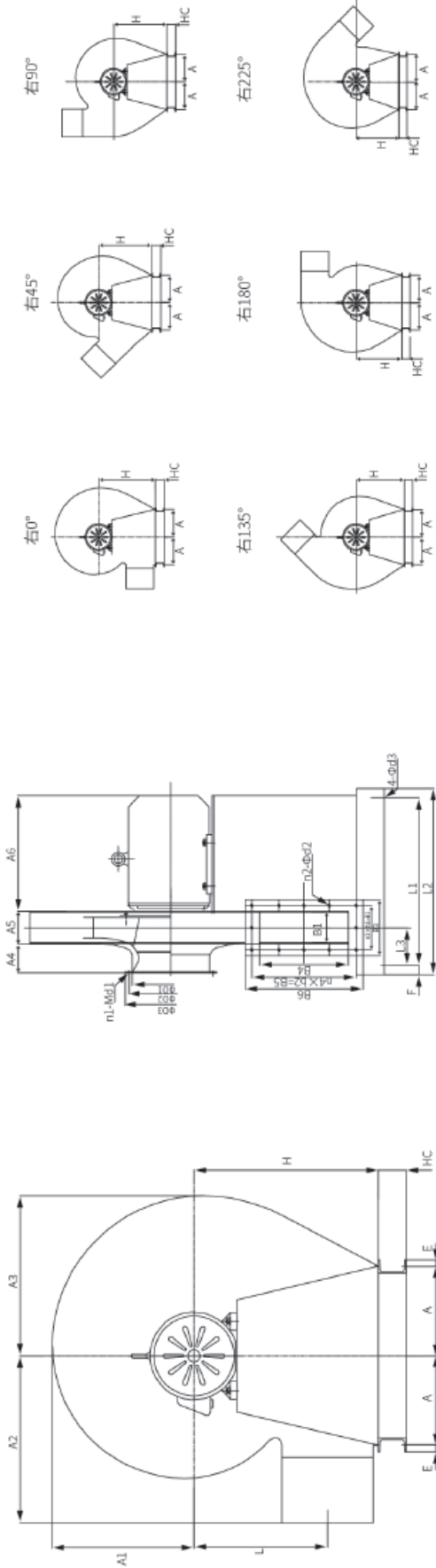
| 机号<br>№ | 转速 r/min | 全压 Pa | 流量 m <sup>3</sup> /h | 内效率 % | 内功率 kw | 所需功率 kw | 配用电机    |       |
|---------|----------|-------|----------------------|-------|--------|---------|---------|-------|
|         |          |       |                      |       |        |         | 型号      | 功率 kw |
| 12.5    | 1450     | 9713  | 33540                | 80.4  | 108.9  | 127.8   | Y315L-4 | 160   |
|         |          | 9575  | 37732                | 81.2  | 119.6  | 140.3   |         |       |
|         |          | 9356  | 41925                | 80.4  | 131.3  | 154.1   |         |       |
|         |          | 9013  | 46117                | 78.6  | 143.75 | 168.7   | Y355M-4 | 220   |
|         |          | 8782  | 50310                | 76    | 156.7  | 183.9   |         |       |
|         |          | 8381  | 54503                | 73    | 168.9  | 198.2   |         |       |
|         |          | 7993  | 58695                | 70    | 181.1  | 212.5   |         |       |
|         | 1250     | 7073  | 28913                | 80.4  | 69.2   | 79.6    | Y315S-4 | 110   |
|         |          | 6972  | 32527                | 81.2  | 76     | 87.4    |         |       |
|         |          | 6813  | 36142                | 80.4  | 83.7   | 92.8    |         |       |
|         |          | 6629  | 39756                | 78.6  | 91.2   | 104.9   |         |       |
|         |          | 6395  | 43370                | 76    | 99.2   | 114.2   | Y315M-4 | 132   |
|         |          | 6103  | 46985                | 73    | 106.9  | 122.9   |         |       |
|         |          | 5821  | 50599                | 70    | 114.5  | 131.9   |         |       |
|         | 1120     | 5678  | 25906                | 80.4  | 49.8   | 57.2    | Y280S-4 | 75    |
|         |          | 5597  | 29144                | 81.2  | 54.6   | 62.8    |         |       |
|         |          | 5470  | 23283                | 80.4  | 59.9   | 68.7    |         |       |
|         |          | 5322  | 35621                | 78.6  | 65.6   | 75.0    |         |       |
|         |          | 5134  | 39960                | 76    | 71.4   | 82      | Y315S-4 | 110   |
|         |          | 4900  | 42098                | 73    | 76.9   | 88.4    |         |       |
|         |          | 4672  | 45336                | 70    | 82.3   | 94.7    |         |       |
|         | 960      | 4179  | 22206                | 80.4  | 31.6   | 37.1    | Y280S-6 | 45    |
|         |          | 4121  | 24981                | 81.2  | 34.7   | 40.7    |         |       |
|         |          | 4028  | 27757                | 80.4  | 38.1   | 44.7    |         |       |
|         |          | 3921  | 30533                | 78.6  | 41.7   | 45      |         |       |
|         |          | 3785  | 33309                | 76    | 45.5   | 53.4    | Y315S-6 | 75    |
|         |          | 3615  | 36081                | 73    | 49     | 57.5    |         |       |
|         |          | 3450  | 38860                | 70    | 52.5   | 61.7    |         |       |
|         | 750      | 2546  | 17348                | 80.4  | 14.9   | 17.1    | Y200L-6 | 22    |
|         |          | 2509  | 19516                | 81.2  | 16.4   | 18.8    |         |       |
| 2452    |          | 21685 | 80.4                 | 18    | 20.7   |         |         |       |
| 2386    |          | 23853 | 78.6                 | 19.7  | 22     |         |         |       |
| 2302    |          | 26022 | 76                   | 21.4  | 24.6   | Y225M-6 | 30      |       |
| 2242    |          | 28191 | 73                   | 23.4  | 27.1   |         |         |       |
| 2095    |          | 30359 | 70                   | 24.7  | 28.4   |         |         |       |



| 机号 № | 转速 r/min | 全压 Pa | 流量 m <sup>3</sup> /h | 内效率 % | 内功率 kw | 所需功率 kw | 配用电机    |       |
|------|----------|-------|----------------------|-------|--------|---------|---------|-------|
|      |          |       |                      |       |        |         | 型号      | 功率 kw |
| 14   | 1450     | 12285 | 47121                | 80.4  | 191    | 225     | Y355M-4 | 250   |
|      |          | 12109 | 53011                | 81.2  | 210    | 247     |         |       |
|      |          | 11830 | 58902                | 80.4  | 231    | 271     | JS138-4 | 410   |
|      |          | 11508 | 64792                | 78.6  | 253    | 297     |         |       |
|      |          | 11099 | 70682                | 76    | 276    | 324     |         |       |
|      |          | 10589 | 76572                | 73    | 297    | 349     |         |       |
|      |          | 10095 | 82463                | 70    | 319    | 374     |         |       |
|      | 1250     | 8919  | 40621                | 80.4  | 122.6  | 141     | Y315L-4 | 160   |
|      |          | 8790  | 45699                | 81.2  | 134.6  | 154.8   |         |       |
|      |          | 8588  | 50777                | 80.4  | 14706  | 169.7   | Y355M-4 | 220   |
|      |          | 8355  | 55855                | 78.6  | 161.6  | 185.8   |         |       |
|      |          | 8058  | 60932                | 76    | 175.8  | 202.2   |         |       |
|      |          | 7688  | 66010                | 73    | 189.2  | 217.6   |         |       |
|      |          | 7329  | 71088                | 70    | 202.6  | 220     |         |       |
|      | 1120     | 7160  | 36396                | 80.4  | 88.2   | 101.4   | Y315M-4 | 132   |
|      |          | 7057  | 40946                | 81.2  | 96.8   | 111.4   |         |       |
|      |          | 6895  | 45496                | 80.4  | 106    | 122     |         |       |
|      |          | 6707  | 50046                | 78.6  | 116.2  | 132     | Y315L-4 | 185   |
|      |          | 6468  | 54595                | 76    | 126.4  | 145.4   |         |       |
|      |          | 6171  | 59145                | 73    | 136    | 156.5   |         |       |
|      |          | 5883  | 63695                | 70    | 145.7  | 167.5   |         |       |
|      | 960      | 5262  | 31197                | 80.4  | 55.7   | 65.4    | Y315S-6 | 75    |
|      |          | 5188  | 35097                | 81.2  | 61.7   | 71.8    |         |       |
|      |          | 5071  | 38997                | 80.4  | 67.1   | 78.8    | Y315L-6 | 110   |
|      |          | 4963  | 42897                | 78.6  | 73.5   | 86.3    |         |       |
|      |          | 4764  | 46796                | 76    | 80.1   | 94      |         |       |
|      |          | 4549  | 50696                | 73    | 86.3   | 101.4   |         |       |
|      |          | 4341  | 54596                | 70    | 92.6   | 108.7   |         |       |
|      | 750      | 3210  | 24372                | 80.4  | 26.4   | 30.4    | Y250M-6 | 37    |
|      |          | 3164  | 27419                | 81.2  | 29     | 33.3    |         |       |
| 3091 |          | 30466 | 80.4                 | 31.8  | 36.6   |         |         |       |
| 3007 |          | 33513 | 78.6                 | 34.9  | 40.1   | Y280M-6 | 55      |       |
| 2900 |          | 36559 | 76                   | 37.9  | 43.6   |         |         |       |
| 2766 |          | 39606 | 73                   | 40.8  | 46.9   |         |         |       |
| 2637 |          | 42653 | 70                   | 43.7  | 50.3   |         |         |       |
| 630  | 2265     | 20473 | 80.4                 | 15.7  | 18     | Y200L-6 | 22      |       |
|      | 2230     | 23032 | 81.2                 | 17.2  | 19.8   |         |         |       |
|      | 2178     | 25591 | 80.4                 | 18.8  | 21.7   |         |         |       |
|      | 2122     | 28151 | 78.6                 | 20.6  | 23.7   | Y225M-6 | 30      |       |
|      | 2046     | 30710 | 76                   | 22.5  | 25.8   |         |         |       |
|      | 1952     | 33269 | 73                   | 24.2  | 27.8   |         |         |       |
|      | 1861     | 35828 | 70                   | 25.9  | 29.8   |         |         |       |

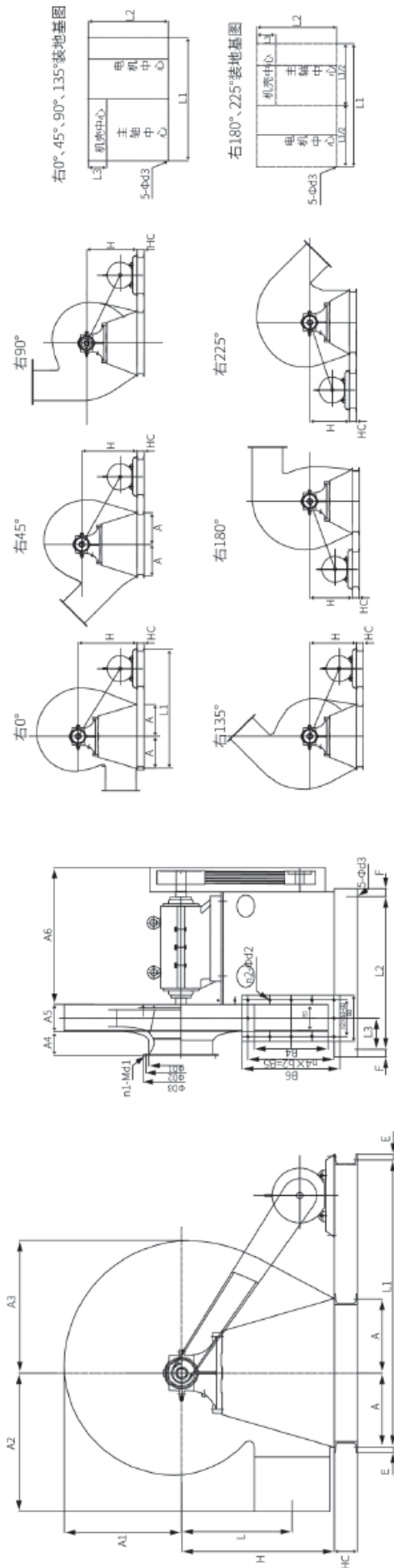
| 机号<br>№ | 转速 r/min | 全压 Pa | 流量 m <sup>3</sup> /h | 内效率 % | 内功率 kw | 所需功率 kw | 配用电机             |       |
|---------|----------|-------|----------------------|-------|--------|---------|------------------|-------|
|         |          |       |                      |       |        |         | 型号               | 功率 kw |
| 16      | 1450     | 16250 | 70339                | 80.4  | 374    | 439     | JSQ-147-4(3000V) | 500   |
|         |          | 16014 | 79131                | 81.2  | 410    | 482     |                  |       |
|         |          | 15640 | 87923                | 80.4  | 451    | 529     |                  |       |
|         |          | 15210 | 96716                | 78.6  | 493    | 579     | JSQ-158-4(3000V) | 850   |
|         |          | 14663 | 105500               | 76    | 538    | 631     |                  |       |
|         |          | 13983 | 114300               | 73    | 580    | 681     |                  |       |
|         |          | 13324 | 123090               | 70    | 622    | 730     |                  |       |
|         | 1250     | 11710 | 60637                | 80.4  | 240    | 276     | JS-138-4         | 410   |
|         |          | 11901 | 68216                | 81.2  | 272    | 312     |                  |       |
|         |          | 11273 | 75795                | 80.4  | 289    | 332     |                  |       |
|         |          | 10963 | 83375                | 78.6  | 316    | 364     |                  |       |
|         |          | 10569 | 90948                | 76    | 344    | 400     | JSQ-147-4        | 500   |
|         |          | 10079 | 98534                | 73    | 370    | 425     |                  |       |
|         |          | 9603  | 106112               | 70    | 396    | 455     |                  |       |
|         | 1120     | 9404  | 54330                | 80.4  | 172    | 199     | Y315M-4          | 315   |
|         |          | 9265  | 61121                | 81.2  | 190    | 218     |                  |       |
|         |          | 9050  | 67912                | 80.4  | 210    | 242     |                  |       |
|         |          | 8800  | 74704                | 78.6  | 227    | 261     |                  |       |
|         |          | 8485  | 81489                | 76    | 247    | 285     |                  |       |
|         |          | 8091  | 88286                | 73    | 266    | 306     |                  |       |
|         |          | 7710  | 95076                | 70    | 285    | 315     |                  |       |
|         | 960      | 6911  | 46569                | 80.4  | 108    | 127     | Y315M-6          | 185   |
|         |          | 6808  | 52390                | 81.2  | 119    | 139     |                  |       |
|         |          | 6659  | 58211                | 80.4  | 130    | 153     |                  |       |
|         |          | 6481  | 64032                | 78.6  | 143    | 168     |                  |       |
|         |          | 6254  | 69854                | 76    | 156    | 183     | Y315L-6          | 220   |
|         |          | 5971  | 75675                | 73    | 168    | 197     |                  |       |
|         |          | 5696  | 81496                | 70    | 180    | 211     |                  |       |
|         | 750      | 4216  | 36382                | 80.4  | 52     | 60      | Y315L-6          | 75    |
|         |          | 4155  | 40929                | 81.2  | 57     | 65      |                  |       |
|         |          | 4058  | 45477                | 80.4  | 62     | 72      |                  |       |
|         |          | 3946  | 50025                | 78.6  | 68     | 75      |                  |       |
| 3804    |          | 54568 | 76                   | 74    | 85     | Y315L-6 | 110              |       |
| 3627    |          | 59120 | 73                   | 80    | 92     |         |                  |       |
| 3457    |          | 63667 | 70                   | 85    | 98     |         |                  |       |
| 630     | 2974     | 30561 | 80.4                 | 30    | 35     | Y280S-6 | 45               |       |
|         | 2932     | 34381 | 81.2                 | 34    | 39     |         |                  |       |
|         | 2860     | 38201 | 80.4                 | 37    | 43     |         |                  |       |
|         | 2784     | 42021 | 78.6                 | 40    | 47     | Y280M-6 | 55               |       |
|         | 2684     | 45837 | 76                   | 42    | 48     |         |                  |       |
|         | 2559     | 49661 | 73                   | 47    | 54     |         |                  |       |
|         | 2439     | 53480 | 70                   | 51    | 55     |         |                  |       |

## 外形与安装尺寸 (A式)



| 机号  | 外形及安装尺寸 |    |    |      |     |     |    |     |     |     | 进风口 |     |     |         |    |     | 出风口 |     |      |      |      |        |     |     |     |        |     |     |     |        |     |     |     |        |
|-----|---------|----|----|------|-----|-----|----|-----|-----|-----|-----|-----|-----|---------|----|-----|-----|-----|------|------|------|--------|-----|-----|-----|--------|-----|-----|-----|--------|-----|-----|-----|--------|
|     | A       | E  | F  | Φd3  | L1  | L2  | L3 | L   | A1  | A2  | A3  | A4  | A5  | A6      | HC | 0°  | 45° | 90° | 135° | 180° | 225° | n1-Md1 | ΦD1 | ΦD2 | ΦD3 | n2-Φd2 | B1  | B2  | B3  | n3xΦb1 | B4  | B5  | B6  | N4xΦb2 |
| 4   | 180     | 20 | 40 | 14.5 | 335 | 415 | 0  | 287 | 305 | 360 | 230 | 85  | 92  | 380     | 80 | 410 | 390 | 370 | 350  | 330  | 310  | 8-Φ7   | 224 | 254 | 284 | 14-Φ7  | 128 | 165 | 184 | 3x55   | 196 | 228 | 250 | 4x57   |
| 4.5 | 210     | 20 | 40 | 14.5 | 445 | 525 | 4  | 323 | 343 | 405 | 388 | 95  | 104 | 380/560 | 80 | 460 | 440 | 420 | 400  | 375  | 350  | 8-Φ7   | 250 | 280 | 310 | 14-Φ7  | 144 | 177 | 200 | 3x59   | 221 | 252 | 275 | 4x63   |
| 5   | 235     | 20 | 40 | 14.5 | 495 | 575 | 8  | 359 | 381 | 450 | 431 | 106 | 115 | 560/590 | 80 | 510 | 490 | 460 | 435  | 410  | 385  | 8-Φ10  | 280 | 320 | 360 | 14-Φ7  | 160 | 192 | 216 | 3x64   | 245 | 284 | 299 | 4x71   |
| 5.6 | 260     | 20 | 40 | 14.5 | 600 | 680 | 13 | 402 | 427 | 504 | 483 | 119 | 129 | 630/680 | 80 | 570 | 540 | 515 | 485  | 460  | 430  | 8-Φ10  | 315 | 355 | 395 | 18-Φ7  | 179 | 212 | 235 | 4x53   | 274 | 305 | 328 | 5x61   |
| 6.3 | 300     | 20 | 40 | 14.5 | 623 | 703 | 20 | 452 | 480 | 567 | 543 | 134 | 145 | 708     | 80 | 635 | 605 | 575 | 545  | 510  | 480  | 8-Φ10  | 355 | 394 | 435 | 18-Φ7  | 202 | 236 | 261 | 4x59   | 309 | 340 | 365 | 5x68   |

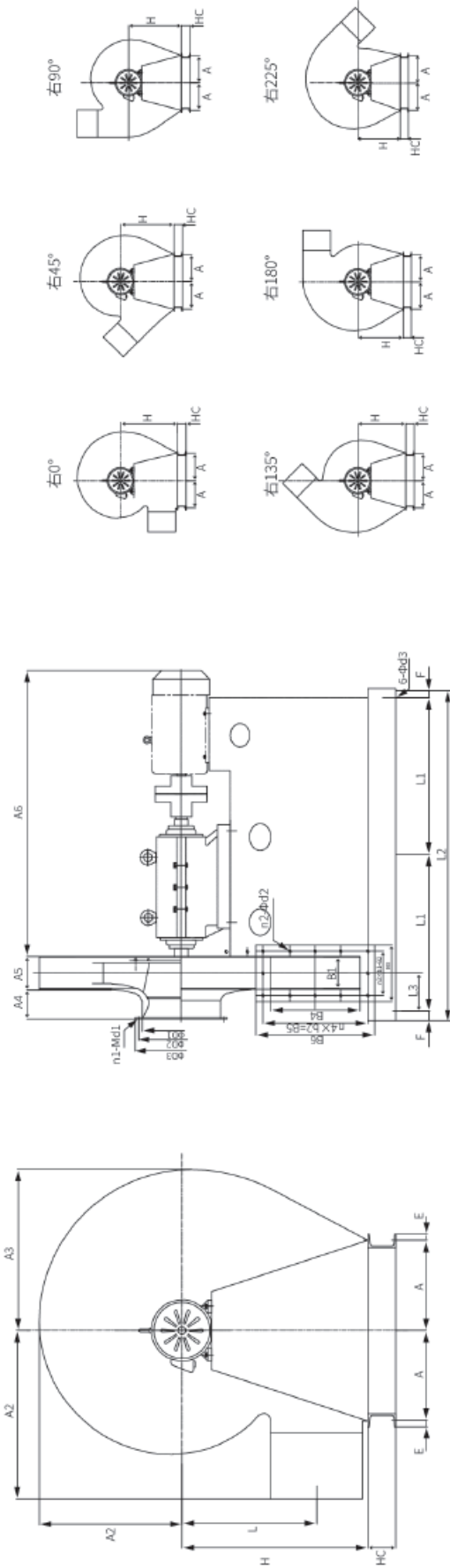
# 外形与安装尺寸 (C式)



| 机号   | 外形及安装尺寸 |    |     |      |      |      |     |      |      |      | H    |     |     |      |     |      |      |      |      |      | 进风口   |        |     |     |       |        | 出风口 |     |      |        |     |     |      |        |
|------|---------|----|-----|------|------|------|-----|------|------|------|------|-----|-----|------|-----|------|------|------|------|------|-------|--------|-----|-----|-------|--------|-----|-----|------|--------|-----|-----|------|--------|
|      | A       | E  | F   | Φd3  | L1   | L2   | L3  | L    | A1   | A2   | A3   | A4  | A5  | A6   | HC  | 0°   | 45°  | 90°  | 135° | 180° | 225°  | n1-Md1 | ΦD1 | ΦD2 | ΦD3   | n2-Φd2 | B1  | B2  | B3   | n3xΦb1 | B4  | B5  | B6   | N4xΦb2 |
| 5.6  | 270     | 20 | 50  | 14.5 | 1235 | 585  | 37  | 401  | 440  | 510  | 490  | 118 | 135 | 710  | 80  | 555  | 500  | 470  | 445  | 415  | 8-Φ10 | 315    | 355 | 395 | 14-Φ7 | 179    | 212 | 235 | 4x53 | 274    | 305 | 328 | 5x61 |        |
| 6.3  | 305     | 20 | 50  | 14.5 | 1360 | 600  | 46  | 452  | 495  | 580  | 560  | 134 | 151 | 710  | 80  | 625  | 590  | 560  | 530  | 500  | 465   | 8-Φ10  | 355 | 395 | 435   | 14-Φ7  | 202 | 236 | 261  | 4x59   | 309 | 340 | 365  | 5x68   |
| 7.1  | 345     | 20 | 50  | 18.5 | 1640 | 765  | 55  | 509  | 560  | 655  | 630  | 151 | 170 | 815  | 100 | 700  | 665  | 630  | 595  | 560  | 525   | 8-Φ12  | 400 | 450 | 500   | 20-Φ10 | 227 | 272 | 296  | 4x68   | 348 | 390 | 414  | 6x65   |
| 8.0  | 390     | 20 | 50  | 18.5 | 1840 | 785  | 65  | 590  | 625  | 735  | 710  | 170 | 192 | 825  | 100 | 785  | 745  | 705  | 665  | 630  | 590   | 8-Φ12  | 450 | 500 | 560   | 20-Φ10 | 256 | 300 | 325  | 4x75   | 392 | 432 | 458  | 6x72   |
| 9.0  | 440     | 20 | 50  | 18.5 | 1840 | 800  | 78  | 645  | 690  | 820  | 790  | 192 | 216 | 820  | 100 | 885  | 840  | 795  | 750  | 705  | 660   | 12-Φ12 | 500 | 560 | 620   | 20-Φ10 | 288 | 330 | 357  | 4x82.5 | 441 | 483 | 507  | 6x80.5 |
| 10.0 | 490     | 25 | 50  | 24   | 1700 | 1040 | 95  | 718  | 770  | 910  | 875  | 213 | 238 | 1030 | 140 | 980  | 930  | 880  | 830  | 780  | 730   | 12-Φ12 | 560 | 630 | 680   | 20-Φ10 | 320 | 356 | 389  | 4x89   | 490 | 528 | 556  | 6x88   |
| 11.2 | 540     | 25 | 50  | 24   | 2190 | 1060 | 108 | 803  | 865  | 1020 | 975  | 237 | 265 | 1020 | 140 | 1100 | 1040 | 985  | 930  | 870  | 815   | 12-Φ12 | 630 | 690 | 750   | 26-Φ12 | 358 | 410 | 450  | 5x82   | 549 | 600 | 638  | 8x75   |
| 12.5 | 615     | 25 | 50  | 24   | 2460 | 1265 | 125 | 896  | 965  | 1135 | 1090 | 265 | 297 | 1240 | 140 | 1220 | 1160 | 1095 | 1035 | 970  | 910   | 16-Φ12 | 710 | 770 | 830   | 28-Φ12 | 400 | 456 | 492  | 6x76   | 613 | 664 | 702  | 8x83   |
| 14   | 690     | 25 | 100 | 28   | 2620 | 1290 | 192 | 1003 | 1080 | 1270 | 1220 | 330 | 322 | 1240 | 160 | 1365 | 1300 | 1225 | 1155 | 1085 | 1015  | 16-Φ12 | 800 | 860 | 920   | 30-Φ12 | 448 | 516 | 564  | 6x86   | 686 | 747 | 795  | 9x83   |
| 16   | 790     | 25 | 100 | 28   | 2535 | 1565 | 217 | 1147 | 1225 | 1450 | 1390 | 339 | 376 | 1520 | 160 | 1560 | 1480 | 1400 | 1320 | 1240 | 1160  | 16-Φ15 | 900 | 970 | 1040  | 34-Φ12 | 512 | 588 | 628  | 7x84   | 784 | 840 | 893  | 10x84  |



## 外形与安装尺寸 (D式)



| 机号   | 外形及安装尺寸 |    |     |      |       |      |     |      |      |      | H    |     |     |      |     |      | 进风口  |      |      |      |      |        | 出风口 |     |      |        |     |     |     |        |     |     |     |        |
|------|---------|----|-----|------|-------|------|-----|------|------|------|------|-----|-----|------|-----|------|------|------|------|------|------|--------|-----|-----|------|--------|-----|-----|-----|--------|-----|-----|-----|--------|
|      | A       | E  | F   | Φd3  | L1    | L2   | L3  | L    | A1   | A2   | A3   | A4  | A5  | A6   | HC  | 0°   | 45°  | 90°  | 135° | 180° | 225° | n1-Md1 | ΦD1 | ΦD2 | ΦD3  | n2-Φd2 | B1  | B2  | B3  | n3×Φb1 | B4  | B5  | B6  | N4×Φb2 |
| 5.6  | 270     | 20 | 50  | 14.5 | 685   | 1470 | 37  | 401  | 440  | 510  | 490  | 118 | 135 | 1475 | 80  | 555  | 525  | 500  | 470  | 445  | 415  | 8-Φ10  | 315 | 355 | 395  | 14-Φ7  | 179 | 212 | 235 | 4×53   | 274 | 305 | 328 | 5×61   |
| 6.3  | 305     | 20 | 50  | 14.5 | 690   | 1480 | 46  | 452  | 495  | 580  | 560  | 134 | 151 | 1500 | 80  | 625  | 590  | 560  | 530  | 500  | 465  | 8-Φ10  | 355 | 395 | 435  | 14-Φ7  | 202 | 236 | 261 | 4×59   | 309 | 340 | 365 | 5×68   |
| 7.1  | 345     | 20 | 50  | 18.5 | 840   | 1780 | 55  | 509  | 560  | 655  | 630  | 151 | 170 | 1780 | 100 | 700  | 665  | 630  | 595  | 560  | 525  | 8-Φ12  | 400 | 450 | 500  | 20-Φ10 | 227 | 272 | 296 | 4×68   | 348 | 390 | 414 | 6×65   |
| 8    | 390     | 20 | 50  | 18.5 | 955   | 2010 | 65  | 590  | 625  | 735  | 710  | 170 | 192 | 2100 | 100 | 785  | 745  | 705  | 665  | 630  | 590  | 8-Φ12  | 450 | 500 | 560  | 20-Φ10 | 256 | 300 | 325 | 4×75   | 392 | 432 | 458 | 6×72   |
| 9    | 440     | 20 | 50  | 18.5 | 860   | 1820 | 78  | 645  | 690  | 820  | 790  | 192 | 216 | 1780 | 100 | 885  | 840  | 795  | 750  | 705  | 660  | 12-Φ12 | 500 | 560 | 620  | 20-Φ10 | 288 | 330 | 357 | 4×82.5 | 441 | 483 | 507 | 6×80.5 |
| 10   | 490     | 25 | 50  | 24   | 917.5 | 1935 | 95  | 718  | 770  | 910  | 875  | 213 | 238 | 1810 | 140 | 980  | 930  | 880  | 830  | 780  | 730  | 12-Φ12 | 560 | 630 | 680  | 20-Φ10 | 320 | 356 | 389 | 4×89   | 490 | 528 | 556 | 6×88   |
| 11.2 | 540     | 25 | 50  | 24   | 1080  | 2260 | 108 | 803  | 865  | 1020 | 975  | 237 | 265 | 2310 | 140 | 1100 | 1040 | 985  | 930  | 870  | 815  | 12-Φ12 | 630 | 690 | 750  | 26-Φ12 | 358 | 410 | 450 | 5×82   | 549 | 600 | 638 | 8×75   |
| 12.5 | 615     | 25 | 50  | 24   | 1268  | 2636 | 125 | 896  | 965  | 1135 | 1090 | 265 | 297 | 2710 | 140 | 1220 | 1160 | 1095 | 1035 | 970  | 910  | 16-Φ12 | 710 | 770 | 830  | 28-Φ12 | 400 | 456 | 292 | 6×76   | 613 | 664 | 702 | 8×83   |
| 14   | 690     | 25 | 100 | 28   | 1230  | 2665 | 92  | 1003 | 1080 | 1270 | 1220 | 330 | 296 | 2710 | 160 | 1365 | 1300 | 1225 | 1155 | 1085 | 1015 | 16-Φ12 | 800 | 860 | 920  | 30-Φ12 | 448 | 516 | 564 | 6×86   | 686 | 747 | 795 | 9×83   |
| 16   | 790     | 25 | 100 | 28   | 1480  | 3160 | 117 | 1147 | 1225 | 1450 | 1390 | 339 | 376 | 2760 | 160 | 1560 | 1480 | 1400 | 1320 | 1240 | 1160 | 16-Φ15 | 900 | 970 | 1040 | 34-Φ12 | 512 | 588 | 628 | 7×84   | 784 | 840 | 893 | 10×84  |

## Marketing Network 营销网络

### 安徽分公司

电话: 0551-62860043

合肥市蜀山区潜山路与佛子岭路交叉口绿地·蓝海国际大厦B座510室

### 北京分公司

电话: 010-63331330

北京市丰台区马家堡西路15号时代风帆大厦1区2103室

### 廊坊二级服务处

电话: 0316-2609984

河北省廊坊市安次区银河南路K2狮子城N1座1单元2505室

### 福建分公司

电话: 0591-87803781

传真: 0591-87803781

福建省福州市鼓楼区北二环中路18号恒力博纳广场1#楼15层08室

### 广西分公司

电话: 0771-5345919

传真: 0771-5345919

南宁市青秀区民族大道166号阳光100上东国际T3栋1701室/1702室

### 贵州分公司

电话: 0851-84135728

传真: 0851-84135728

贵阳市观山湖区合肥路恒大中央广场二期E3栋1101室

### 甘肃分公司

电话: 0931-4524247

兰州市城关区天水北路828号良志兰州之窗A座22层2201室

### 新疆二级服务处

电话: 0991-4327370

新疆乌鲁木齐市新市区鲤鱼山南路山水华庭20号楼1单元701室

### 湖北分公司

电话: 027-88613519

湖北省武汉市武昌区徐东大街3号君临天下A栋904室

### 湖南二级服务处

电话: 027-88613519

湖南省长沙市天心区芙蓉中路二段芙蓉同发大厦14A

### 河南分公司

电话: 0371-60178178

河南省郑州市管城区航海路未来路交叉口启航大厦E座11楼西户

### 黑龙江公司

电话: 0451-51523896

哈尔滨市南岗区哈西大街与复旦路交叉口爱达壹号14号楼6号商服

### 江苏分公司

电话: 025-86517817

江苏省南京市江宁区董村路39号天琪科技大厦1栋801室

### 徐州二级服务处

电话: 0516-83865818

传真: 0516-83865818

徐州市云龙区庆丰路绿地城市广场7期LOft1-707室

### 济南分公司

电话: 0531-88031918/69954337

济南市高新区工业南路与奥体中路交汇处山钢新天地8号楼1710室

### 吉林分公司

电话: 0431-81853229

长春市南关区长春大街1599号永长小区1栋302室



辽宁分公司

电话：024-23243908/23221618  
沈阳市浑南新区天赐街5-1号国贸中心A座1203室

锦州二级服务处

电话：024-23221618  
锦州市太和区永和国际4-67

大连二级服务处

电话：024-23221618  
大连市甘井子区泉水街道泉水D2区34号楼1单元803室

内蒙古分公司

电话：0471-6504381/6504382  
呼和浩特市新城区兴安北路财富公馆55号1901室/2001室

宁夏分公司

电话：0951-6839809  
传真：0951-6839809  
银川市金凤区沁逸苑西区伊源大厦20层2011室/2012室

青海分公司

电话：0971-8266658  
青海省西宁市城中区南小街68号奥运世纪花园2单元2205室

青岛分公司

电话：0532-85849938  
青岛市市北区徐州路176号中锦大厦1805室

石家庄分公司

电话：0311-85860292/85860293  
河北省石家庄市新华区维明大街与宁安路交叉口商务办公楼6层

保定二级服务处

电话：0311-85860292  
河北省保定市莲池区五四东路金顶宝座A座3103

山西分公司

电话：0351-2712522  
山西省太原市亲贤北街215号怡和国际广场912室

陕西分公司

电话：029-88629529  
陕西省西安市莲湖区大庆路蔚蓝国际A座910室

四川分公司

电话：028-86285041/86285141  
传真：028-87619566  
四川省成都市金牛区金府路799号金府国际1栋2707

重庆二级服务处

电话：023-67861693  
传真：023-67861693  
重庆市江北区北城天街15号富力海洋广场6栋401室

天津分公司

电话：022-28055173/28055172  
天津市河西区洞庭路与东江道交口香年广场B座907室

唐山分公司

电话：0315-2229927  
传真：0315-2229927  
河北省唐山市路北区鹭港小区204楼2单元901室

秦皇岛二级服务处

电话：0315-2229927  
秦皇岛市海港区长江西道富庄园16栋2单元101室

潍坊分公司

电话：0536-8653160/8291160  
潍坊市奎文区东风东街与金马路交叉口天马大厦11楼1104室

海口



## 山东格瑞德集团

SHANDONG GRAD GROUP

集团地址：山东省德州市天衢工业园格瑞德路6号  
全国统一客服热线：400-618-5015  
邮编：253000  
网址：[Http://www.gradgroup.com](http://www.gradgroup.com)  
邮箱：[grad@gradgroup.com](mailto:grad@gradgroup.com)

山东格瑞德集团通风工程二公司  
电话：17653405939  
邮箱：[389008193@qq.com](mailto:389008193@qq.com)

Add:No.6, Grad Road, Tianqu Industrial Park, Dezhou, Shandong, China  
National Service Hotline:400-618-5015  
P.C.:253000  
Web:<http://en.gradgroup.com>  
E-mail:[grad@gradgroup.com](mailto:grad@gradgroup.com)

Shandong Grad Ventilation Engineering Company II  
Tel:17653405939  
Email: [389008193@qq.com](mailto:389008193@qq.com)